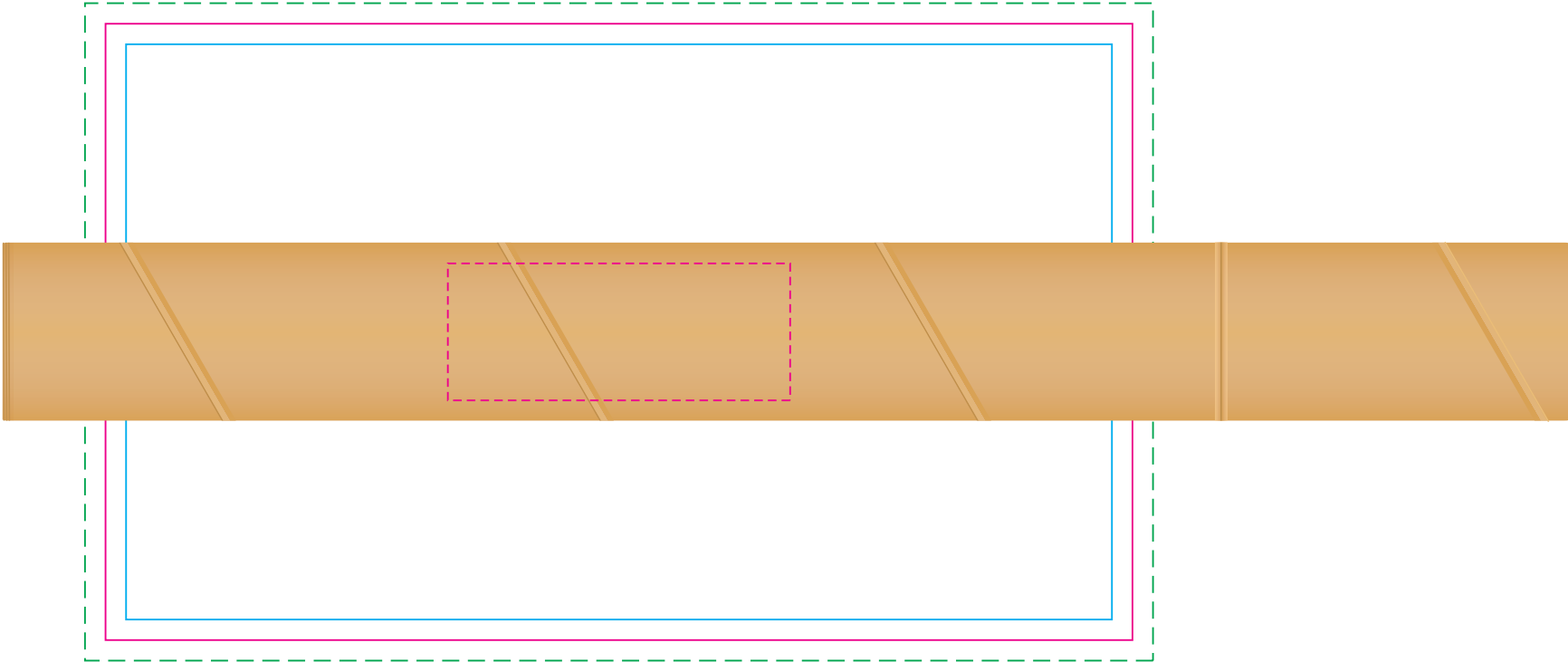


LL2014 - Evergreen Straw Set - Natural


Pad Print  PMS XXXc


CMYK Label 





Pad
Print Area: 50mmL x 20mmH
Actual print size: xxmmL x xxmmH


Label
Print Area: 150mmL x 90mmH
Actual print size: xxmmL x xxmmH

Max print area for copy & text 

Finished print area - Label 

Bleed requirement area - Label 

Finished print area - Pad 

Laser Engrave 

LASER - Min Thickness required is 0.07mm
Top of Straw
Print Area: 35mmL x 3mmH
Actual print size: xxmmL x xxmmH



LASER - Min Thickness required is 0.07mm
Bottom of Straw
Print Area: 50mmL x 3mmH
Actual print size: xxmmL x xxmmH



Finished print area 