

LL0441 - Cascade Coffee Cup - White, Orange, Red, Light Green, Light Blue, Dark Blue, Silver, Black

Pad Print  PMS XXXc

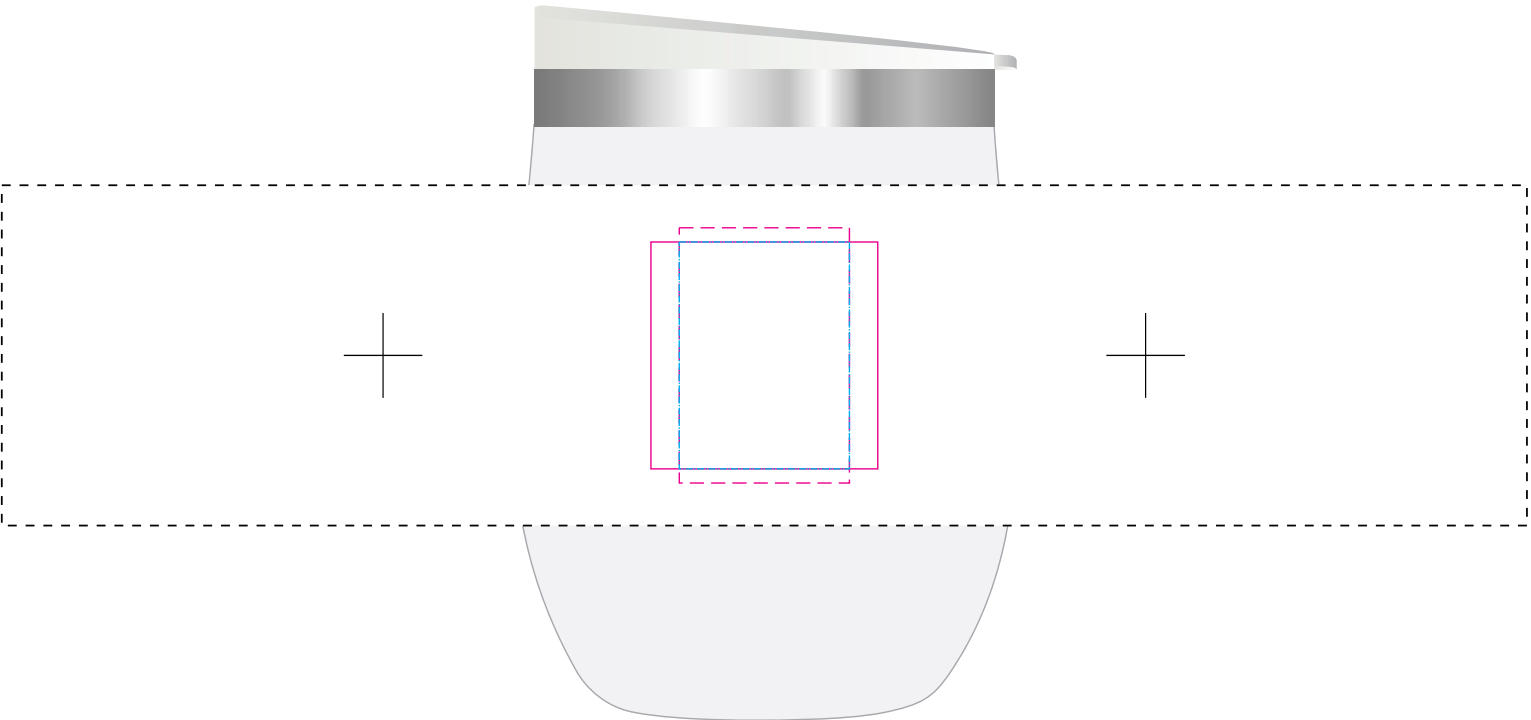
Designs printed onto tapered products using Rotary Digital will follow the shape of the product due to the machines printing process.

Laser Engrave

Direct Digital 

Rotary Digital 

Showing at approx 75% of size



Pad
Print Area: 40mmL x 40mmH
Actual print size: xxmmL x xxmmH

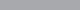
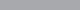
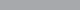
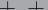
Digital - Min Thickness required is 0.3mm
Print Area: 30mmL x 45mmH
Actual print size: xxmmL x xxmmH

Digital Rotary - Joined Wrap
Print area: 268.92mmL x 60mmH
Actual print size: xxmmL x xxmmH

Laser
Print Area: 30mmL x 40mmH
Actual print size: xxmmL x xxmmH

Below showing at approx 20% of size



Finished print area - Pad	
Finished print area - Digital	
Finished print area - Digital Rotary	
Finished print area - Laser	
Approx opposite positions	

Pad Print

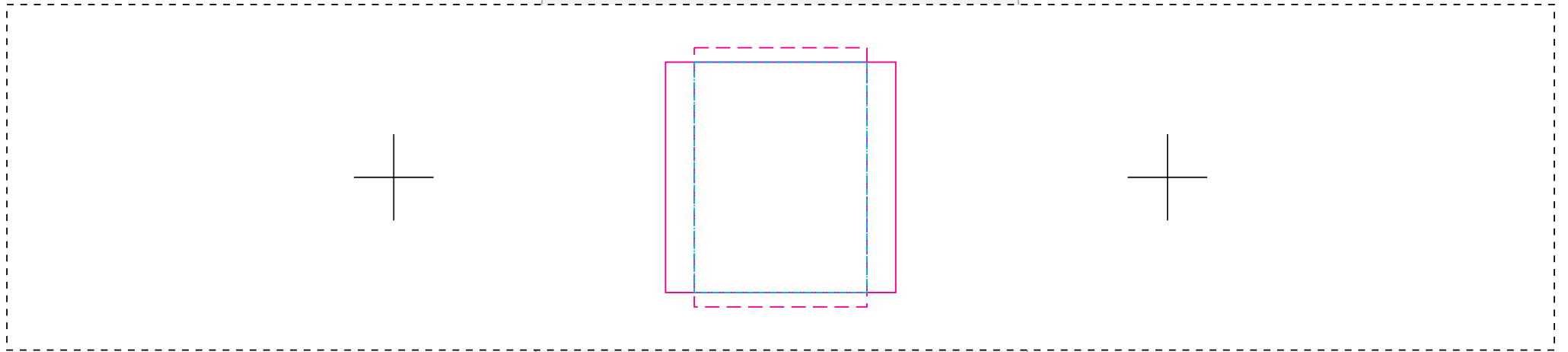
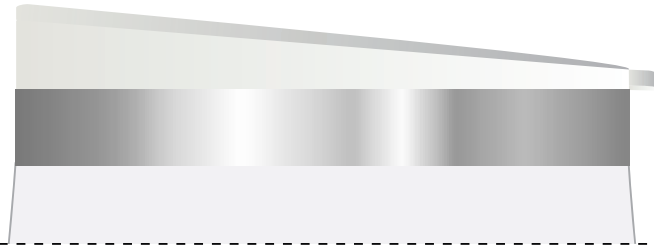


Laser Engrave

Direct Digital



Rotary Digital



Pad

Print Area: 40mmL x 40mmH
Actual print size: xxmmL x xxmmH

Digital - Min Thickness required is 0.3mm

Print Area: 30mmL x 45mmH
Actual print size: xxmmL x xxmmH

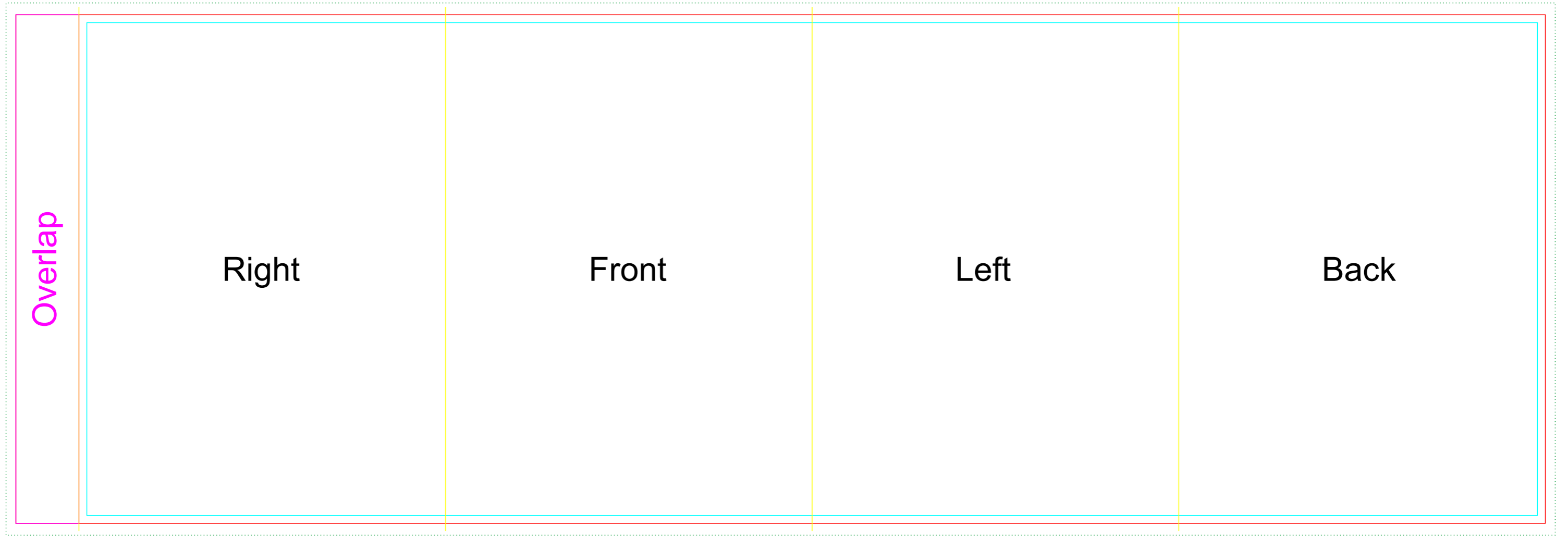
Digital Rotary - Joined Wrap

Print area: 268.92mmL x 60mmH
Actual print size: xxmmL x xxmmH

Laser

Print Area: 30mmL x 40mmH
Actual print size: xxmmL x xxmmH


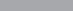
Finished print area - Pad	
Finished print area - Digital	
Finished print area - Digital Rotary	
Finished print area - Laser	
Approx opposite positions	



Sleeve

Print Area: 388mmL x 129mmH

Actual print size: xmmL x xmmH

Max print area for copy & text	
Finished print area	
Folds	